



PROFESSIONAL UNFIRED PRESSURE VESSEL MAKER

INTRODUCTION

An air receiver, also known as compressed air tank, serves as temporary storage to accommodate system demand surges and enhance efficiency during operation.



**CUSTOMIZED
SOLUTION**



**DOSH
APPROVED
DESIGN**

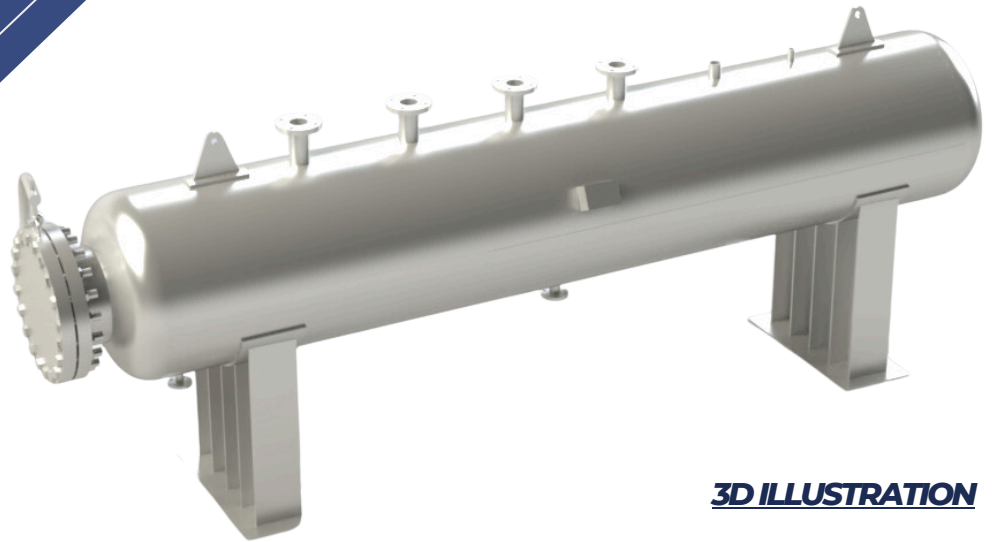
AIR RECEIVER (HORIZONTAL TYPE)

NOZZLE DESCRIPTION

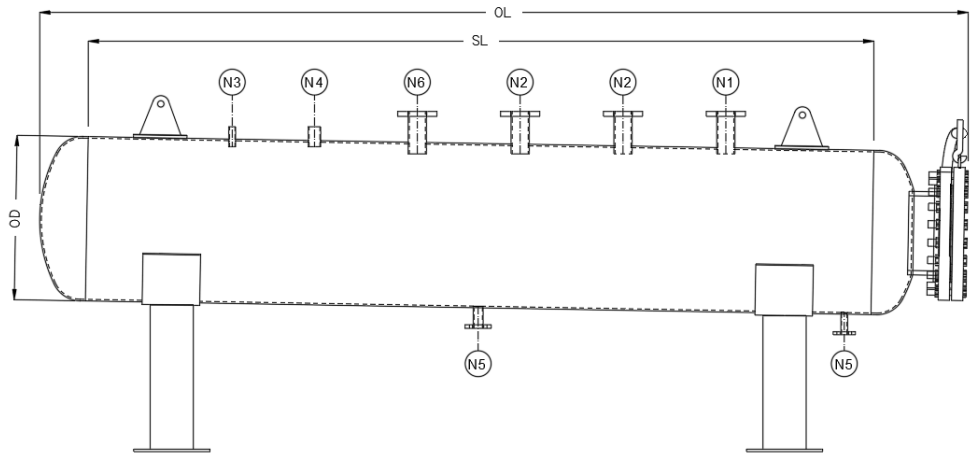
- *N1 - AIR INLET
- *N2 - AIR OUTLET
- *N3 - PRESSURE GAUGE
- *N4 - PRESSURE RELIEF
- *N5 - DRAIN
- N6 - EQUIPMENT/EXTRA
- *M1 - MANHOLE

(*) ~ COMPULSORY NOZZLE

Please note that every nozzle position is customizable and outlet/spare nozzle can be added on upon request.



3D ILLUSTRATION



2D SKETCH

NOTE
OD - OUTSIDE DIAMETER (CUSTOMIZABLE)
SL - SHELL LENGTH (CUSTOMIZABLE)
OL - OVERALL LENGTH (CUSTOMIZABLE)

Please note that shell length and shell diameter are both customizable depending on the end user's site requirement.



ENGINEER DESIGNER FABRICATOR



PROFESSIONAL UNFIRED PRESSURE VESSEL MAKER

SPECIFICATION

KEY BENEFITS

- Pressure stabilization beneficial for pneumatic tools using compressed air.
- Storage for handling high air consumption.
- Improvement of the life, reliability and functionality of your compressor.
- Condensate separation.

DESIGN CODE
ASME SECTION VIII DIVISION 1
BS EN 13445

DESIGN PRESSURE
150 PSI / 10 BARG,
300 PSI / 20 BARG,
600 PSI / 40 BARG,
1160 PSI / 80 BARG, or
customs.

MATERIAL
SA-516 70 (Carbon Steel)
SA-240 304 (Stainless Steel)
SA-240 316 (Stainless Steel)

DESIGN TEMPERATURE
100°C / 373.15 K,
200°C / 473.15 K,
customs.

LEGENDS

OD - Outside Diameter
SL - Shell Length
OL - Overall Length

CONTACT US NOW



+07-288 2287
(Admin)



admin@acolite.com.my/enquiry
@acolite.com.my



KAWASAN PERINDUSTRIAN MAJU JAYA

MODEL NO.	VOLUME (L)	OD (MM)	SL (MM)	OL (MM)
HAR-200	200	550	700	< 2000
HAR-300	300	650	710	< 2000
HAR-400	400	700	850	< 2000
HAR-500	500	750	900	< 2200
HAR-800	800	880	1050	< 2500
HAR-1000	1000	850	1500	< 3000
HAR-1500	1500	970	1720	< 3500
HAR-2000	2000	1100	1750	< 3500
HAR-3000	3000	1200	2260	< 4000
HAR-4000	4000	1331	2438	< 4000
HAR-5000	5000	1476	2438	< 4000

In view of our constant endeavour to improve quality of our products, we reserve the right to alter or change specification without prior notice. All photographs shown in this publication are representative in purpose and to be used for reference purpose only. With this information is given in good faith, no warranty or representation is given concerning such information which must not be taken for establishing any contract or other commitment binding on TESB.

For actual details and specifications, please refer the TESB offer document.

