



PROFESSIONAL UNFIRED PRESSURE VESSEL MAKER

INTRODUCTION

An air receiver, also known as compressed air tank, serves as temporary storage to accommodate system demand surges and enhance efficiency during operation.



CUSTOMIZED SOLUTION



DOSH APPROVED DESIGN

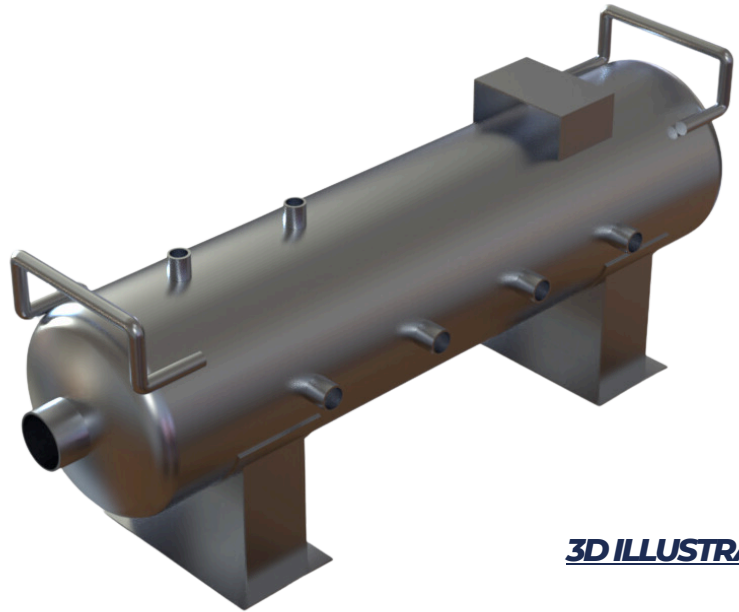
AIR RECEIVER (HORIZONTAL TYPE)

NOZZLE DESCRIPTION

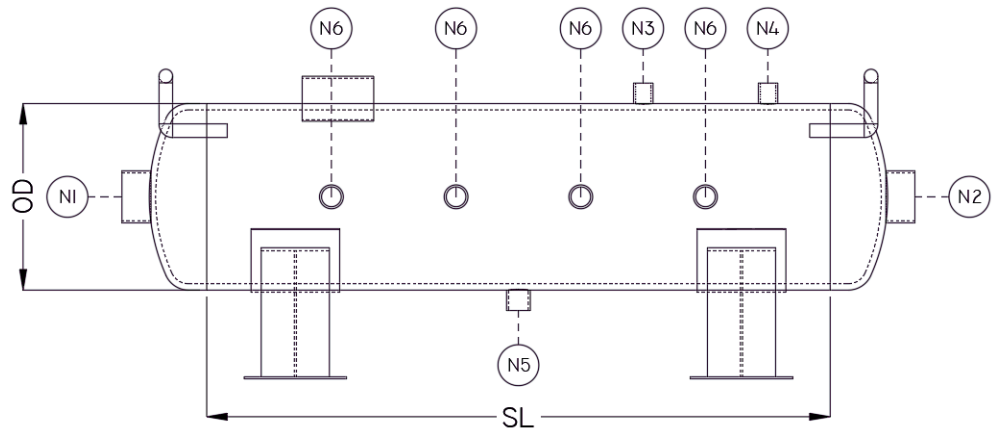
- *N1 - AIR INLET
- *N2 - AIR OUTLET
- *N3 - PRESSURE GAUGE
- *N4 - PRESSURE RELIEF
- *N5 - DRAIN
- N6 - EQUIPMENT/EXTRA
- *M1 - MANHOLE

(*) ~ COMPULSORY NOZZLE

Please note that every nozzle position is customizable and outlet/spare nozzle can be added on upon request.



3D ILLUSTRATION



2D SKETCH

NOTE
OD - OUTSIDE DIAMETER (CUSTOMIZABLE)
SL - SHELL LENGTH (CUSTOMIZABLE)
OL - OVERALL LENGTH (CUSTOMIZABLE)

Please note that shell length and shell diameter are both customizable depending on the end user's site requirement.



ENGINEER DESIGNER FABRICATOR



PROFESSIONAL UNFIRED PRESSURE VESSEL MAKER

SPECIFICATION

KEY BENEFITS

- Pressure stabilization beneficial for pneumatic tools using compressed air.
- Storage for handling high air consumption.
- Improvement of the life, reliability and functionality of your compressor.
- Condensate separation.

DESIGN CODE
ASME SECTION VIII DIVISION 1
BS EN 13445

DESIGN PRESSURE
150 PSI / 10 BARG,
300 PSI / 20 BARG,
600 PSI / 40 BARG,
1160 PSI / 80 BARG, or
customs.

MATERIAL
SA-516 70 (Carbon Steel)
SA-240 304 (Stainless Steel)
SA-240 316 (Stainless Steel)

DESIGN TEMPERATURE
100°C / 373.15 K,
200°C / 473.15 K,
customs.

LEGENDS

NPS - Nominal Pipe Size
OD - Outside Diameter
SL - Shell Length

CONTACT US NOW



+07-288 2287
(Admin)



admin@acolite.com.my/enquiry
@acolite.com.my



KAWASAN PERINDUSTRIAN MAJU JAYA

MODEL NO.	VOLUME (L)	SHELL NPS	OD (MM)	SL (MM)
HAR-20	20	DN250 / 10"	273.1	350
HAR-30	30	DN250 / 10"	273.1	500
HAR-40	40	DN250 / 10"	273.1	700
HAR-50	50	DN250 / 10"	273.1	850
HAR-60	60	DN300 / 12"	323.9	700
HAR-70	70	DN300 / 12"	323.9	820
HAR-80	80	DN300 / 12"	323.9	950
HAR-90	90	DN350 / 14"	355.6	850
HAR-100	100	DN350 / 14"	355.6	950
HAR-110	110	DN350 / 14"	355.6	1050
HAR-120	120	DN350 / 14"	355.6	1150

In view of our constant endeavour to improve quality of our products, we reserve the right to alter or change specification without prior notice. All photographs shown in this publication are representative in purpose and to be used for reference purpose only. With this information is given in good faith, no warranty or representation is given concerning such information which must not be taken for establishing any contract or other commitment binding on TESB.

For actual details and specifications, please refer the TESB offer document.



ENGINEER DESIGNER FABRICATOR