



PROFESSIONAL LIFTING EQUIPMENT MAKING

INTRODUCTION

A lifting spreader bar is a crucial tool in the rigging and material handling industry, designed to distribute the weight of a load evenly across multiple points.



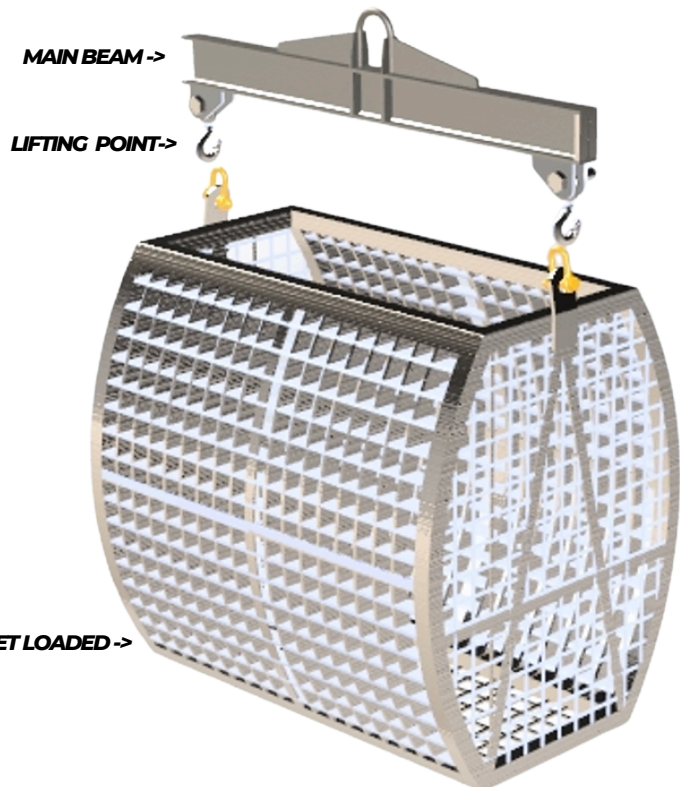
**CUSTOMIZED
SOLUTION**



**DOSH
APPROVED
DESIGN**

LIFTING SPREADER

3D ILLUSTRATION



PURPOSE:

- **Heavy equipment lifting** : Used for lifting and positioning oversized or irregularly shape loads in construction and manufacturing.
- **Container Lifting** : Widely used in factory and logistics for handling container

MAIN COMPONENT:

- **Main Beam** : Central structure that spans the load.
- **Lifting Points** : Usually use hook or other fitting at end of the beam, which connect to lifting equipment like crane or hoist

NOTE
OD - OUTSIDE DIAMETER (CUSTOMIZABLE)
SL - SHELL LENGTH (CUSTOMIZABLE)
OL - OVERALL LENGTH (CUSTOMIZABLE)

Please note that shell length and shell diameter are both customizable depending on the end user's site requirement.



ENGINEER DESIGNER FABRICATOR



PROFESSIONAL LIFTING EQUIPMENT MAKING

SPECIFICATION

DESIGN CODE

BS 5950 : Part 1 Structural use of steelwork in building

BS 4360: 1990 Specification for weldable structural steels

CONTACT

US NOW



+07-288 2287 (Admin)



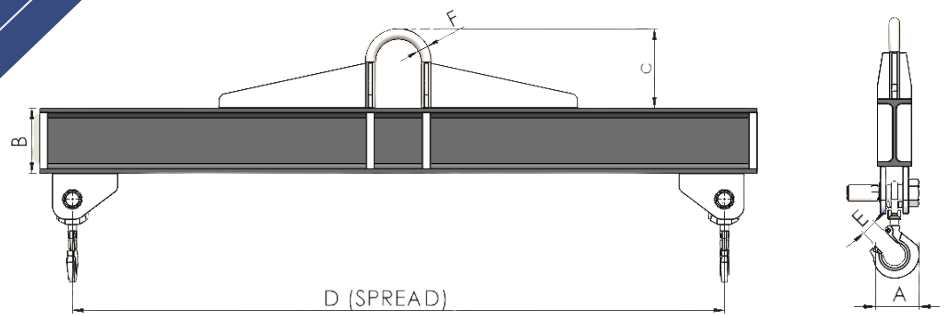
admin@acolite.com.my/
enquiry@acolite.com.my



KAWASAN PERINDUSTRIAN
MAJU JAYA

MATERIAL :

- **Stainless steel** : A material handling tool used to lift and move large objects is a stainless steel lifting/spreader beam. It usually works in tandem with a crane or other lifting apparatus. Because the lifting/spreader beam is made of stainless, which resists corrosion.
- **Steel / carbon steel** : Due to its extraordinary strength and longevity, steel is a material that is frequently used to make lifting/spreader beams. It comes in a variety of grades and can be made to support heavy weights.



Model		LS-200	LS-500	LS-1000	LS-2000	
Capacity		200 KG	500 KG	1T	2 T	
Lifting spreader	Dimension (mm)	A	50	50	50	125
		B	100	100	100	254
		C	142	142	142	142
		D (SPREADER)	1000	1000	1000	1000
		E	23	23	23	23
		F	14	14	14	14

In view of our constant endeavour to improve quality of our products, we reserve the right to alter or change specification without prior notice. All photographs shown in this publication are representative in purpose and to be used for reference purpose only. With this information is given in good faith, no warranty or representation is given concerning such information which must not be taken for establishing any contract or other commitment binding on TESB.

For actual details and specifications, please refer the TESB offer document.



ENGINEER DESIGNER FABRICATOR